

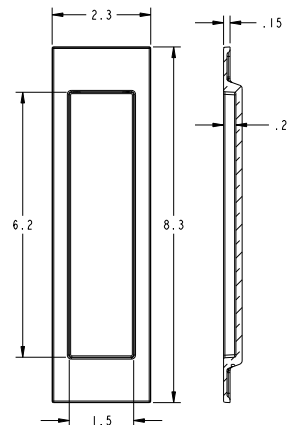
MISCELLANEOUS  
**SLIDING  
DOOR  
LOCKS**





Item #	Description	Wt.	003, 031, 033	044,
			050, 060, 102	055, 056
			112, 150, 151	402, 452
			190, 260, 264	
SET	PD005.xxx.ENTR	Entry set with 2.5" backset lock*	Set	688
	PD005.xxx.PRIV	Privacy set with 2.5" backset lock	Set	629
	PD005.xxx.PASS	Passage/dummy set with pull	Set	613
	PD005.xxx.FD	Dummy set for double doors	Set	645
	PD005.xxx.PS	Passage Trim - Pair	Pair	247
TRIM	PD005.xxx.iPS	Passage Trim - half pair	Each	
	PD005.xxx.KE	Trim with Emergency Release (KE)	Each	124
	PD005.xxx.KC	Trim Cut for Cylinder (KC)	Each	113
	PD005.xxx.KT	Interior Trim with Turn Knob (KT)	Each	167

\*Entry set excludes cylinder



Minimum Door Thickness: 1.50"  
 Minimum Door Thickness for flush installation: 1.75"



Sets	PD005.xxx.PRIV	PD005.xxx.PASS
Exterior Trim	PD005.xxx.KE	PD005.xxx.iPS
Interior Trim	PD005.xxx.KT	PD005.xxx.iPS
Cylinder	N/A	N/A
Mortise Lock	8632.xxx	8601.xxx



Designer	Privacy	Passage	Entry	Double Door Inactive (Order Privacy for Active Side)
Exterior Trim	PD005.xxx.KE	PD005.xxx.iPS	PD005.xxx.KC	PD005.xxx.iPS
Interior Trim	PD006.xxx.KT	PD007.xxx.iPS	PD006.xxx.KT	PD005.xxx.iPS
Cylinder	N/A	N/A	8320.xxx.EMHT (1.75" door thickness*)	N/A
Mortise Lock	8632.xxx	8601.xxx	8632.xxx	8603.xxx

\* see page 175 for pocket door cylinder table

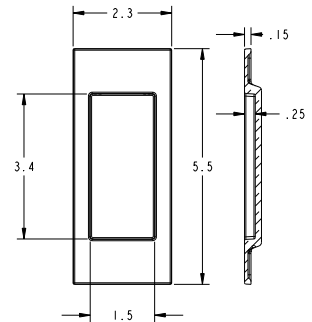
SLIDING DOOR  
 LOCKS

POCKET DOORS  
**SANTA MONICA - SMALL**



Item #	Description	Wt.	003, 031, 033 050, 060, 102 112, 150, 151 190, 260, 264	044, 055, 056 402, 452
SET *	PD006.xxx.ENTR	Entry set with 2.5" backset lock*	Set	
	PD006.xxx.PRIV	Privacy set with 2.5" backset lock	Set	586 645
	PD006.xxx.PASS	Passage/dummy set with pull	Set	516 570
	PD006.xxx.FD	Dummy set for double doors	Set	548 602
	PD006.xxx.PS	Passage Trim - Pair	Pair	183 204
TRIM	PD006.xxx.iPS	Passage Trim - half pair	Each	
	PD006.xxx.KE	Trim with Emergency Release (KE)	Each	91 102
	PD006.xxx.KC	Trim Cut for Cylinder (KC)	Each	
	PD006.xxx.KT	Interior Trim with Turn Knob (KT)	Each	129 145

\*Entry set excludes cylinder.



Minimum Door Thickness: 1.375"  
 Minimum Door Thickness for flush installation: 1.5"

SLIDING DOOR  
 LOCKS



Sets	PD006.xxx.PRIV	PD006.xxx.PASS
Exterior Trim	PD006.xxx.KE	PD006.xxx.iPS
Interior Trim	PD006.xxx.KT	PD006.xxx.iPS
Cylinder	N/A	N/A
Mortise Lock	8632.xxx	8601.xxx



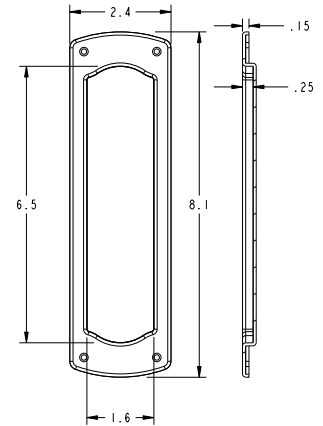
Designer	Privacy	Passage	Entry	Double Door Inactive (Order Privacy for Active Side)
Exterior Trim	PD006.xxx.KE	PD006.xxx.iPS	PD006.xxx.KC	PD006.xxx.iPS
Interior Trim	PD006.xxx.KT	PD016.xxx.iPS	PD007.xxx.KT	PD006.xxx.iPS
Cylinder	N/A	N/A	8320.xxx.EMHT (1.75" door thickness*)	N/A
Mortise Lock	8632.xxx	8601.xxx	8632.xxx	8603.xxx

\* see page 175 for pocket door cylinder table



Item #	Description	Wt.	003, 031, 033	044,	
			050, 060, 102	055, 056	
			112, 150, 151	190, 260, 264	402, 452
SET-	PD007.xxx.ENTR	Entry set with 2.5" backset lock*	Set	586	645
	PD007.xxx.PRIV	Privacy set with 2.5" backset lock	Set		
	PD007.xxx.PASS	Passage/dummy set with pull	Set	516	570
	PD007.xxx.FD	Dummy set for double doors	Set	548	602
TRIM	PD007.xxx.PS	Passage Trim - Pair	Pair	183	204
	PD007.xxx.iPS	Passage Trim - half pair	Each		
	PD007.xxx.KE	Trim with Emergency Release (KE)	Each	91	102
	PD007.xxx.KC	Trim Cut for Cylinder (KC)	Each		
	PD007.xxx.KT	Interior Trim with Turn Knob (KT)	Each	129	145

\*Entry set excludes cylinder.



Minimum Door Thickness: 1.375"  
Minimum Door Thickness for Keyed Entry: 1.5"



**Sets**

	PD007.xxx.PRIV	PD007.xxx.PASS
Exterior Trim	PD007.xxx.KE	PD007.xxx.iPS
Interior Trim	PD007.xxx.KT	PD007.xxx.iPS
Cylinder	N/A	N/A
Mortise Lock	8632.xxx	8601.xxx



**Designer**

	Privacy	Passage	Entry	Double Door Inactive (Order Privacy for Active Side)
Exterior Trim	PD007.xxx.KE	PD007.xxx.iPS	PD007.xxx.KC	PD007.xxx.iPS
Interior Trim	PD005.xxx.KT	PD007.xxx.iPS	PD007.xxx.KT	PD007.xxx.iPS
Cylinder	N/A	N/A	8320.xxx.EMHT (1.75" door thickness*)	N/A
Mortise Lock	8632.xxx	8601.xxx	8632.xxx	8603.xxx

\* see page 175 for pocket door cylinder table

# POCKET DOORS BOULDER

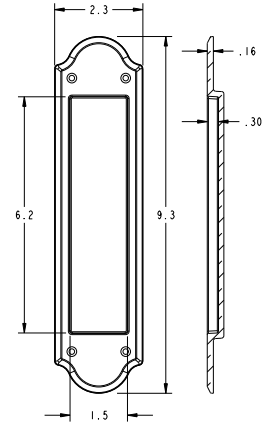


003, 031, 033  
050, 060, 102  
112, 150, 151  
190, 260, 264

044,  
055, 056  
402, 452

Item #	Description	Wt.		
SET*	PD016.xxx.ENTR	Entry set with 2.5" backset lock*	Set	607 667
	PD016.xxx.PRIV	Privacy set with 2.5" backset lock	Set	538 591
	PD016.xxx.PASS	Passage/dummy set with pull	Set	570 624
	PD016.xxx.FD	Dummy set for double doors	Set	204 226
TRIM	PD016.xxx.PS	Passage Trim - Pair	Pair	102 113
	PD016.xxx.iPS	Passage Trim - half pair	Each	102 113
	PD016.xxx.KE	Trim with Emergency Release (KE)	Each	140 156
	PD016.xxx.KC	Trim Cut for Cylinder (KC)	Each	
PD016.xxx.KT	Interior Trim with Turn Knob (KT)	Each		

\*Entry set excludes cylinder.



Minimum Door Thickness: 1.75"

SLIDING DOOR  
LOCKS



Sets	PD016.xxx.PRIV	PD016.xxx.PASS
Exterior Trim	PD016.xxx.KE	PD016.xxx.iPS
Interior Trim	PD016.xxx.KT	PD016.xxx.iPS
Cylinder	N/A	N/A
Mortise Lock	8632.xxx	8601.xxx



Designer	Privacy	Passage	Entry	Double Door Inactive (Order Privacy for Active Side)
Exterior Trim	PD016.xxx.KE	PD016.xxx.iPS	PD016.xxx.KC	PD016.xxx.iPS
Interior Trim	PD006.xxx.KT	PD005.xxx.iPS	PD007.xxx.KT	PD016.xxx.iPS
Cylinder	N/A	N/A	8320.xxx.EMHT (1.75" door thickness*)	N/A
Mortise Lock	8632.xxx	8601.xxx	8632.xxx	8603.xxx

\* see page 175 for pocket door cylinder table

**SPECIFICATIONS**

Standardized heavy steel case is smooth, easy to mortise, and assures snug and solid fit in door mortise.

Vital interior working parts are made of solid hot forged brass or steel for a lifetime of trouble-free operation.

All lock cases are constructed of heavy gauge steel (.093-2.4mm) material and plated with a protective rust-resistant coating to retard oxidation.

**FACEPLATE:** Wrought brass, available in standard finishes.

**DEADBOLT:** 8602 and 8632 locks are equipped with a 1" (25mm) throw deadbolt with steel inserts that engage strike. Furnished in US4 and 26D finishes depending on faceplate finish.

**PULL:** All locks are equipped with a 1.25" (32mm) throw pull. Pull is thrown by push button on lock front. Furnished in US4 and 26D finishes to match trim.

**TURN HUB:** 8602 and 8632 locks include turn hub with .19" (5mm) hole broached on the diamond.

**SPACING:** Center to center of Turn Hub to Cylinder 1.187" (30mm).

**CYLINDER:** Emhart mortise type with O3 keyway and two silver nickel keys. Cylinder is not supplied with lock and should be ordered with suffix ".EMHT" added to the end of the Item #. (same price as standard C keyway cylinders)

**KEYING:** All levels of Keying, including Construction Keying, are available.

**STRIKE:** Wrought brass finished to match. Included with 8602 and 8632 locks only. 8603 lock is spring-loaded strike combined with pull (for



Pocket door pull



Pocket door lock with pull



Pocket door strike with pull

Item #	Description	
8601.xxx	Pocket Door Pull	For Passage and Dummy Functions, included on passage (PASS) sets
8602.xxx	Pocket Door Lock with Pull	For Privacy and Entry Functions, (2.75" backset)
8603.xxx	Pocket Door Strike with Pull	For Dummy Side of Double Door, included in dummy for double door application (FD) functions. Requires privacy or entry function lock for active door.
8632.xxx	Pocket Door Lock with Pull	For Privacy and Entry Functions, (2.5" backset)

Mortise Locks are NOT available in Distressed Finishes, non-distressed equivalents 402=102, 452=152  
 Pocket Door Pull locks come with 7/8" fronts; all other pocket door locks comes with 1" fronts

Item #	Description	003, 031, 033, 050 060, 102, 112 150, 151, 152 190, 260, 264	044, 055, 056
8320.xxx.EMHT	.75" (4 pin)	Mortise Cylinder	\$59 \$65
8321.xxx.EMHT	1"	Mortise Cylinder	59 65
8322.xxx.EMHT	1.125"	Mortise Cylinder	59 65
8323.xxx.EMHT	1.25"	Mortise Cylinder	59 65

Mortise Cylinders are NOT available in Distressed Finishes, non-distressed equivalents 402=102, 452=152

SINGLE CYLINDER C KEYWAY		Door Thickness		1.375"		1.5"		1.75"		2"		2.25"		2.5"	
Trim Style Name	Trim Style #	Cylinder Length	Blocking Ring	Cylinder Length	Blocking Ring	Cylinder Length	Blocking Ring	Cylinder Length	Blocking Ring	Cylinder Length	Blocking Ring	Cylinder Length	Blocking Ring	Cylinder Length	Blocking Ring
Large Santa Monica (Standard mounting)	PD005	-	-	.75" 8320.xxx. EMHT	-	.75" 8320.xxx. EMHT	-	.75" 8320.xxx. EMHT	-	1" 8321.xxx. EMHT	-	1" 8321.xxx. EMHT	-	1" 8321.xxx. EMHT	-
Large Santa Monica (Flush mounting)	PD005	-	-	-	-	-	-	-	-	1" 8321.xxx. EMHT	-	1" 8321.xxx. EMHT	-	1" 8321.xxx. EMHT	-
Small Santa Monica (Standard mounting)	PD006	.75" 8320.xxx. EMHT	-	.75" 8320.xxx. EMHT	-	.75" 8320.xxx. EMHT	-	.75" 8320.xxx. EMHT	-	1" 8321.xxx. EMHT	-	1" 8321.xxx. EMHT	-	1" 8321.xxx. EMHT	-
Small Santa Monica (Flush mounting)	PD006	-	-	.75" 8320.xxx. EMHT	.0625" 8440.xxx. 001	.75" 8320.xxx. EMHT	-	.75" 8320.xxx. EMHT	-	1" 8321.xxx. EMHT	-	1" 8321.xxx. EMHT	-	1" 8321.xxx. EMHT	-
Palo Alto	PD007	-	-	.75" 8320.xxx. EMHT	-	.75" 8320.xxx. EMHT	-	.75" 8320.xxx. EMHT	-	1" 8321.xxx. EMHT	-	1" 8321.xxx. EMHT	-	1" 8321.xxx. EMHT	-
Boulder	PD016	-	-	-	-	.75" 8320.xxx. EMHT	-	.75" 8320.xxx. EMHT	-	1" 8321.xxx. EMHT	-	1" 8321.xxx. EMHT	-	1" 8321.xxx. EMHT	-

DOUBLE CYLINDER C KEYWAY		Door Thickness		1.375"		1.5"		1.75"		2"		2.25"		2.5"	
Trim Style Name	Trim Style #	Cylinder Length	Blocking Ring	Cylinder Length	Blocking Ring	Cylinder Length	Blocking Ring	Cylinder Length	Blocking Ring	Cylinder Length	Blocking Ring	Cylinder Length	Blocking Ring	Cylinder Length	Blocking Ring
Large Santa Monica (Standard mounting)	PD005	-	-	-	-	.75" 8320.xxx. EMHT	.0625" 8440. xxx.001	.75" 8320.xxx. EMHT*	-	1" 8321.xxx. EMHT	.0625" 8440. xxx.001	1" 8321.xxx. EMHT	-	1" 8321.xxx. EMHT	-
Large Santa Monica (Flush mounting)	PD005	-	-	-	-	-	-	-	-	1" 8320.xxx. EMHT	-	1" 8321.xxx. EMHT	-	1" 8321.xxx. EMHT	.0625" 8440. xxx.001
Small Santa Monica (Standard mounting)	PD006	-	-	-	-	.75" 8320.xxx. EMHT	.0625" 8440. xxx.001	.75" 8320.xxx. EMHT*	-	1" 8321.xxx. EMHT	.0625" 8440. xxx.001	1" 8321.xxx. EMHT	-	1" 8321.xxx. EMHT	-
Small Santa Monica (Flush mounting)	PD006	-	-	-	-	-	-	.75" 8320.xxx. EMHT*	.0625" 8440. xxx.001	1" 8320.xxx. EMHT	-	1" 8321.xxx. EMHT	-	1" 8321.xxx. EMHT	.0625" 8440. xxx.001
Palo Alto	PD007	-	-	-	-	.75" 8320.xxx. EMHT	.0625" 8440. xxx.002	.75" 8320.xxx. EMHT*	-	1" 8321.xxx. EMHT	.0937" 8440. xxx.002	1" 8321.xxx. EMHT	-	1" 8321.xxx. EMHT	-
Boulder	PD016	-	-	-	-	.75" 8320.xxx. EMHT	.0625" 8440. xxx.002	.75" 8320.xxx. EMHT*	-	1" 8321.xxx. EMHT	.0937" 8440. xxx.002	1" 8321.xxx. EMHT	-	1" 8321.xxx. EMHT	-

SLIDING DOOR  
LOCKS